

Product Overview

Printed May 2014



VISION
SOLUTIONS
FOR **DOMESTIC**
INDUSTRIAL AND
COMMERCIAL
APPLICATIONS

Safety Through Vision

SVS Australia Our vision...

SVS Australia is wholly Australian owned and operated. SVS is a specialist supplier in vehicle vision systems that are designed to improve both safety and vehicle operations through a comprehensive range of quality vision products. The SVS range has been designed to offer complete vision solutions for all vehicle types ranging from recreational through to heavy duty commercial and industrial applications, allowing the user to customise the solution to meet with their specific needs.

SVS have maintained a large focus on creating interchangeable products that allow all blind spots and dangerous areas on all vehicles to be covered without complex wiring systems and harnesses making the kits easy to install, operate and maintain...and of course be dependable. The new digital recording range allows the operator to record and replay all video and audio data from four cameras overlaid over Google Maps® which is proving to be very popular.

The focus of the SVS team is to offer an industry leading product range that increases productivity and protects both lives and equipment from preventable accidents and offer full technical assistance in the designing and fitment of all of their systems from their technical support office based in Campbellfield, Melbourne.

Contents

Premium Range 200 Series

| | |
|--------------------------|-------|
| Monitors | 4-5 |
| Cameras | 6-8 |
| Accessories..... | 9 |
| Popular Kit Options..... | 10-11 |

Standard Range 100 Series

| | |
|---|-------|
| Monitors | 12-14 |
| Cameras | 15-17 |
| Digital Wireless | 18-19 |
| Alarms (Visual & Audible reversing sensors) | 20 |
| Accessories..... | 21 |
| Popular Kit Options..... | 22-23 |

Recorders

| | |
|-------------------------|-------|
| Vehicle Recorders | 24-26 |
| Recorders | 27 |
| Alarms | 27 |

Warranty Policy

| | |
|--------------------------|-----------------|
| 100 Series Warranty..... | (Back Cover) 28 |
| 200 Series Warranty..... | (Back Cover) 28 |

PREMIUM RANGE 200 Series

The **SVS 200 series** range is designed and manufactured to the highest standards using the highest quality and most advanced manufacturing processes available. Premium Range products are heavy duty with strong mounting hardware designed to withstand all commercial and industrial environments making them the standout choice within the commercial and industrial category.

The Premium Range is the ultimate choice for reliability and flexibility within the Australian market as our extensive range of cameras, monitors and accessories make achieving safety through vision an easy task for all applications.

Monitors

SVS203M 3.5" Heavy Duty Single Camera Monitor

- TFT LCD Digital Monitor
- Operating Voltage: DC10~32V
- Resolution: 960(h) x 234(v)
- 1 camera input
- Audio enabled
- Heavy duty suction cup mount ▼



SVS205M 5" Heavy Duty Dual Camera Monitor

- TFT LCD Digital Monitor
- Operating Voltage: DC10~32V
- Resolution: 960(h) x 234(v)
- 2 camera inputs
- Audio enabled
- Heavy duty mounting bracket ▼
- Automatic picture display (2 trigger functions)



▼ *bracket upgrades available, see accessories pg 9*

PREMIUM RANGE 200 Series

SVS207M 7" Heavy Duty Quad Camera Monitor

- Hires TFT LCD Digital Monitor
- Operating Voltage: DC10~32V
- 4 camera inputs, 1 AV input
- 1 AV output
- Audio enabled
- Heavy duty mounting bracket ▼
- Automatic picture display (5 trigger functions)



7"Screen



4PIN



4 CAMS



QUAD
DISPLAY

- Vibration: 4G
- Max. shock force: 100G



Example of
Quad View

SVS207MW 7" IP68 Heavy Duty Dual Camera Monitor

- 7" Digital TFT LCD wide panel monitor
- Operating Voltage: DC10~32V
- Resolution: 800(h) x 480(v)
- 2 camera inputs
- Audio enabled
- Heavy duty mounting bracket ▼



7"Screen



4PIN



2 CAMS



SINGLE
DISPLAY



IP68



WATERPROOF

SVS207MWQ 7" IP68 Heavy Duty Quad Camera Monitor

- 7" Digital TFT LCD wide panel monitor
- Operating Voltage: DC10~32V
- Resolution: 800(h) x 480(v)
- 4 camera inputs, 1 AV input
- 1 AV output
- Audio enabled
- Heavy duty mounting bracket ▼



7"Screen



4PIN



4 CAMS



QUAD
DISPLAY



IP68



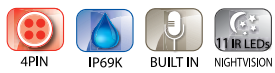
WATERPROOF

Example of
Quad View

Cameras

SVS200SC Heavy Duty Wide View Camera with Infra-Red LED's

- 130° Diagonal viewing angle
- 1/3" CCD image sensor
- Min. illumination: 0 Lux w/IR LED
- 11 infra-red LEDs



SVS200XC Wide View Camera with Infra-Red LED's

- 150° Diagonal viewing angle
- 1/4" CCD image sensor
- Min. illumination: 0 Lux w/IR LED
- Automatic heating function
- Ultra performance in low light



SVS200CT Twin Wide View Camera

- 150° Diagonal viewing angle (cam1)
- 53° Diagonal viewing angle (cam2)
- 1/3" CCD Sony image device
- Automatic heating function
- Ultra performance in low light



PREMIUM RANGE 200 Series

SVS200RC Heavy Duty Key Hole Mount Camera

- 150° Diagonal viewing angle
- 1/3" CCD image sensor
- Min. illumination: 0.5 Lux



4PIN



IP69K



SVS200CTMS Twin Wide View Camera with Motorised Shutter

- 150° Diagonal viewing angle (cam1)
- 53° Diagonal viewing angle (cam2)
- 1/3" CCD Sony image device
- Automatic heating function
- Ultra performance in low light
- Automatic shutter



4PIN



IP69K



BUILT IN



SVS200CMS Wide View Camera with Shutter

- 150° Diagonal viewing angle (cam1)
- 1/3" CCD Sony image device
- Ultra performance in low light
- Automatic shutter



4PIN



IP69K



BUILT IN



SVS200SCMI Heavy Duty Mini Camera

- 150° Diagonal viewing angle
- 1/4" CCD image sensor
- Min. illumination: 0.5 Lux



4PIN



IP68



Cameras continued

SVS200HDC IP69 Heavy Duty Camera with Infra-Red LED's

- 130° Diagonal viewing angle
- 1/4" CCD image sensor
- Ultra performance in low light
- Automatic heating function
- Nitrogen filled



- Vibration: 15G
- Max. shock force: 100G



SVS200TCM Motorised Tilt (Horizontal) Camera

- 92° Diagonal viewing angle
- 1/3" CCD image device
- Ultra performance in low light



SVS200WC IP69 Wing Camera

- 120° Diagonal viewing angle
- 1/4" CCD image sensor
- Optical axis correction
- Min. illumination: 0 Lux w/IR LED



Various Mounting Options



Accessories

SVS Australia provides a full range of replacement parts and accessories ideal for custom installations or when adding to existing systems. Our extensive range offers complete vision systems solutions.

See the full range of accessories at svsaustralia.com

| | | |
|--|---|--|
|  <p>Extension cables: SVS2C25 (25m), SVS2C15 (15m), SVS2C10 (10m) & SVS2C7 (7m)</p> |  <p>Shutter & tilt camera control box SVS2CBS and SVS2CBT</p> | |
|  <p>Curly cord cable system SVS2T.SHD Heavy duty curly cord, SVS2T.FHD Heavy duty socket (Male) and SVS2T.MHD Heavy duty socket (female)</p> |  <p>Splitter box, din connector, 1 cam input, 2 cam output SVS2CB2</p> | |
|  <p>Heavy duty mounting bracket SVSB1HD (Screw Mount)</p> |  <p>Heavy duty mounting bracket SVSB2HD (Slide Mount)</p> |  <p>Suction Cup mounting bracket SVSB3 (Slide Mount)</p> |

Popular Kit Options

For your convenience, listed below is our list of popular kits, typically comprising a monitor, camera and cable. These kits will suit most applications, however, there is a vast range of monitors and camera combinations available to suit your individual needs, just ask your distributor.

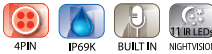
SVS205/1 Camera Monitor Kit ▼

- 1 x 7" Heavy duty quad camera monitor (SVS205M)
- 1 x Heavy duty wide view camera with Infra-Red LED's (SVS200SC)
- 1 x Shutter & Tilt Control Box
- 1 x 25m Camera Cable

Monitor:



Camera:



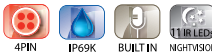
SVS207/4 Camera Monitor Kit ▼

- 1 x 5" Heavy duty dual camera monitor (SVS207M)
- 4 x Heavy duty wide view camera with infra-red LED's (SVS200SC)
- 1 x Shutter & tilt control box
- 4 x 25m Camera cable

Monitor:



Camera:



PREMIUM RANGE 200 Series

SVS207MW/1 Camera Monitor Kit ▼

- 1 x 7" IP68 Heavy Duty dual camera monitor (SVS207MW)
- 1 x Twin view wide camera (SVS200CT)
- 1 x 25m Camera cable

Monitor:



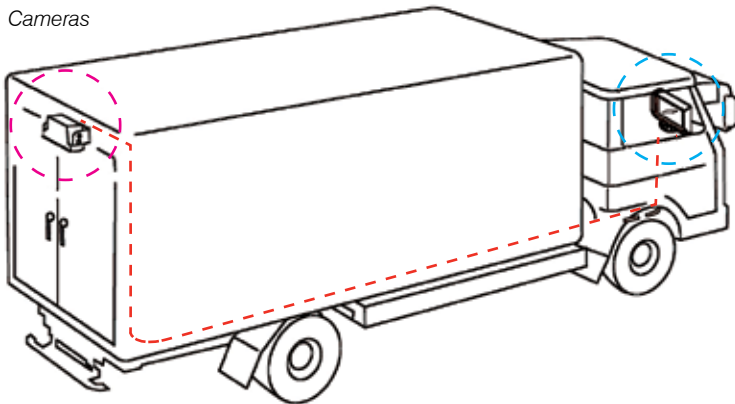
Camera:



Typical Wiring Installation and layout for a monitor with one camera

--- Cable placement

- Monitor
- Cameras



▼ All complete kits come ready to install with all wiring and cables required for installation.

STANDARD RANGE 100 Series

The **SVS 100 Series** retail range is perfectly suited to domestic and recreational applications such as overcoming blind spots typically present with SUV's and 4WD's as well as improving safety and vehicle operations generally associated with hooking up and reversing trailers, caravans and boats.

The 100 series range boasts a broad range of monitors and cameras to provide great vision and neat integration into most vehicles.

100 Series

Monitors

SVS103M 3" TFT LCD Digital Monitor

- Operating voltage: DC11~32V
- Resolution: 320(h) x 240(v)
- 2 camera inputs
- Audio enabled
- Suction cup mount ▼



SVS105M 5" TFT LCD Digital Monitor

- Operating voltage: DC11~32V
- Resolution: 640(h) x 480(v)
- 2 camera inputs
- Audio enabled
- Dash or roof mounting bracket ▼



▼ *bracket upgrades available, see accessories pg 17*

STANDARD RANGE 100 Series

SVS105MMG 5" Rear View Mirror Monitor ~ GPS Receiver ~ DVR **NEW 2013**

- Operating voltage: DC9~15V
- Resolution: 800(h) x 480(v)
- GPS navigation
- Bluetooth
- Multimedia player
- Capacitive touch screen monitor
- FM transmitter
- Single camera, RCA input
- Universal bracket



SVS105MM 5" TFT LED Digital Rear View Mirror **NEW 2013** SVS104MM 4" TFT LED Digital Rear View Mirror **NEW 2014**

- Operating voltage: DC9~15V
- Resolution: 800(h) x 480(v)
- Touch screen buttons
- Trigger wire
- 2 way AV input, one way for auxiliary, one way for reverse parking
- Special bracket for installation
- Super slim design



SVS107M 7" TFT LCD Digital Mirror Monitor

- Operating voltage: DC11~32V
- Resolution: 1440(h) x 234(v)
- 2 camera inputs
- Clips directly to vehicle rear view mirror



Monitors continued

SVS107MS 7" Wide Touch Screen Monitor

- Operating voltage: DC11~32V
- Resolution: 800(h) x 480(v)
- 2 camera inputs
- Audio enabled
- Dash or roof mounting bracket ▼



SVS107MQ 7" TFT LCD Quad Camera Digital Monitor

- Operating voltage: DC11~32V
- Resolution: 2400(h) x 480(v)
- Accepts up to 4 cameras
- 1 AV output
- Audio enabled
- Dash or roof mounting bracket ▼



SVS107MW 7" Wide Screen Waterproof Digital Monitor

- Operating voltage: DC11~32V
- Resolution: 800(h) x 480(v)
- 2 camera inputs
- Audio enabled
- Dash or roof mounting bracket ▼



▼ bracket upgrades available, see accessories pg 17

STANDARD RANGE ¹⁰⁰ Series

Cameras

100
Series

SVS100RC Key Hole Mount Camera

- Wide viewing angle
- Key hole mount
- 9 infra-red LEDs

OPTIONAL with



SVS100RCX



SVS100SCM (Black) & SVS100SCWM (White) Camera

- Wide viewing angle
- Metal housing
- 8 infra-red LEDs

OPTIONAL with



SVS100SCMX
SVS100SCWMX



SVS100SCMI Micro Square Camera

- 135° viewing angle
- Ultra compact size



SVS100SCW Camera

- 130° viewing angle
- Metal Housing
- 6 infra-red LEDs

OPTIONAL with



SVS100SCWX



Cameras continued

SVS100SCA Camera

- 130° viewing angle
- Metal housing
- 6 infra-red LEDs
- 10G shockproof
- Built-in microphone



4PIN



IP68



BUILT IN



6 IR LEDs

NIGHTVISION



SVS100SCSX Black Square Camera (Reversible Image & Shield)

NEW 2013

- Wide viewing angle
- 1/3" IR Colour CCD image sensor
- Metal Housing
- 18 infra-red LEDs
- Nightvision distance: approx 15m



4PIN



IP69K



18 IR LEDs



MIRROR

NIGHTVISION



SVS100SL (Black) & SVS100SLW (White) Stop Light Camera

- Wide viewing angle
- 8 infra-red LEDs
- ADR Approved (High level stop light)



4PIN



IP66



8 IR LEDs



NIGHTVISION



STANDARD RANGE ¹⁰⁰ Series

SVS100DC Dome Camera **NEW 2013**

- 120° wide viewing angle
- Aluminium housing
- 6 infra-red LEDs
- Min. illumination: 0Lux
- Night vision up to 5m



SVS100MTC Motorised Tilt Camera **NEW 2013**

- 120° viewing angle
- Stainless steel housing
- 12 infra-red LEDs
- Night vision up to 10m
- Day/Night sensor for auto adjustment



SVS100NCC Number Plate Camera Chrome

- 150° viewing angle
- 4 infra-red LEDs
- Night vision up to 10m
- Installs directly onto licence plate
- Adjustable for optimal viewing position



SVS100FC.R Camera CMOS Flush Mount with RCA plug **NEW 2013**

- 120° viewing angle
- Ultra performance in low light



STANDARD RANGE 100 Series

100 Series

Digital Wireless

Using the latest technology in digital wireless camera systems available, the SVS system is almost interference free due to it being operated on a 2.4GHz digital frequency and paired to each device. Therefore there is no interference like that associated with conventional analog systems.

Being wireless means no need to run wires through your vehicle and vastly improves installation times and fitment options.

Our digital wireless system takes wireless into a new era for quality and performance.

SVS117/1 7" 2.4GHz Digital Wireless System

The SVS117/1 is audio enable to provide further functionality to the digital wireless system.

Monitor

- 7" Digital Monitor
- Operation voltage: 10V-32V
- Resolution: 800(h) x 480(v)
- Automatic backlighting and control
- Trigger function
- Picture image adjustable for horizontal/vertical/mirror/normal viewing
- Distance label
- On-board Speaker



Camera

- Night vision up to 10m
- 12 infra-red lights
- 12-24V DC connector
- Mirror image (for vehicle), Normal image (for security)



STANDARD RANGE 100 Series

SVS110WRT 2.4GHz Digital Wireless Transmitter/Receiver

The digital wireless transmitter can be integrated into all SVS100 Series camera and monitor combinations.

Transmitter

- 2.4G Digital wireless transmitter
- Output 12V power to camera
- Voltage 12-32V
- Solid metal housing



IP69K

Receiver

- 2.4G Digital wireless receiver
- Voltage 12-32V
- Solid metal housing
- Ingress rating IP69K



IP69K



Alarms

Visual & Audible Reversing Sensor

Two options available:

SVS100VPS Integrating the SVS100VPS with a compatible 100 series monitor releases the full functionality of this unit to provide real time distance indication as displayed below.

SVS100VPS.S For stand alone applications, power supply included.

- Visual integration of rear view display (displays actual distance to object on monitor)
- 4 x High-sensitivity ultrasonic detectors (black)
- Detecting distance: 0.30~2.50m (1ft 0in~8ft 4in)
- Metric unit of measurement
- Automatically activates when reverse gear is activated
- DC10-18V



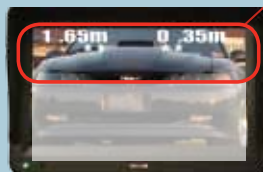
Kit Includes:

- Visual & audible reversing sensor
- Buzzer
- Hole Saw
- Connection Cable
- Manual



Display reading of SVS100VPS when powered by monitor

Independent display of distance from object



Monitor SOLD SEPARATELY

STANDARD RANGE ¹⁰⁰ Series

Accessories

SVS Australia provides a full range of replacement parts and accessories ideal for custom installations or when adding to existing systems. Our extensive range offers complete vision systems solutions.

See the full range of accessories at svsaustralia.com

| | | |
|---|--|---|
|  <p>Extension Cables: 20m - SVS1C20, 10m - SVS1C10, 5m - SVS1C5</p> |  <p>RCA Lead: 1m lead SVS1LRC, 6m lead SVS1LRC6</p> | |
|  <p>Trailer Plug Kit SVS1T.K</p> |  <p>2 Lead 5 Pin Caravan/Trailer Plug SVS1T.P2</p> | |
|  <p>Joining Curly Cord SVS1T.J</p> |  <p>Stainless Steel Mini Socket Bracket SVS1T.BKT</p> |  <p>2 Lead 5 Pin Caravan / Trailer Plug SVS1T.S2</p> |
|  <p>Heavy duty mounting bracket SVSB1HD (Screw Mount)</p> |  <p>Heavy duty mounting bracket SVSB2HD (Slide Mount)</p> |  <p>Suction Cup mounting bracket SVSB3 (Slide Mount)</p> |

100 Series

Popular Kit Options

For your convenience, listed below is our list of popular kits, typically comprising a monitor, camera and cable. These kits will suit most applications, however, there is a vast range of monitors and camera combinations available to suit your individual needs, just ask your distributor.

SVS105/1 Camera Monitor Kit ▼

- 1 x 5" TFT LCD Digital Monitor (SVS105M)
- 1 x Mini White Square Camera (SVS100SCWM)
- 1 x Ignition/reverse switch
- 1 x 9 Pin Junction cable
- 1 x 10m Camera Cable



Monitor:



Camera:



SVS105MMG/1 5" Monitor GPS Touch Screen with Camera & Cables Kit ▼

- 1 x 5" Rear View Mirror with high resolution touch screen (SVS105MMG)
- 1 x White Square Camera (Reverse Image) (SVS100SCWMX)
- 1 x 1m AV RCA Lead (Audio+video)
- 1 x 2m DC Cable
- 1 x 5m RCA Male-Male lead



Monitor:



Camera:



STANDARD RANGE ¹⁰⁰ Series

SVS107TK.SL Monitor & 2 Camera Trailer Kit ▼

- 1 x 5" TFT LCD Digital Monitor (SVS107M)
- 1 x Micro Square Camera (SVS100SCMI)
- 1 x Stop Light & Bracket (ADR approved) (SVS100SL)
- 1 x 10m Caravan/trailer cable & socket
- 1 x 15m Caravan/trailer cable & plug
- 1 x 10m Camera Cable
- 1 x Ignition/reverse switch

Monitor:



Micro Camera:



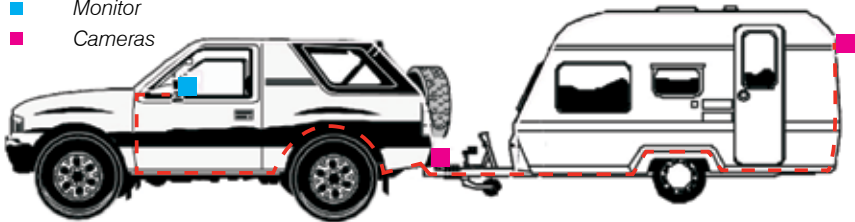
Stop Light Camera:



Typical Wiring Installation and layout for a monitor with two cameras on a car and caravan

--- Cable placement

- Monitor
- Cameras



▼ All complete kits come ready to install with all wiring and cables required for installation.

RECORDERS

Drivers in accidents often get into a 'blame game' and the accident investigators are left to sort out who is at fault.

SVS vehicle recorders, record what happened in the critical seconds before, during and after the accident including travelling speed, date, time and GPS overlay. The video record generated provides strong evidence and may assist in proving your innocence.

Vehicle Recorders

SVSCDR Car Data Recorder

- Built-in G-force sensor
- Automatically locks in video or manual lock away data function
- Adjustable video capture lengths (1, 3 or 5 minutes)
- Records automatically once vehicle is turned on and shuts down automatically once vehicle is off.
- Saved video displays time and data for easy clarification
- Built-in microphone for audio recording
- Auto recycling recording (records in MP4)
- 70° viewing angle
- Resolution: D1/720 x 480(v)
- Suction cup mount
- Easy to install

Kit Includes:

- Car Data Recorder
- USB Power Lead
- AV Leads
- USB Adapter
- Micro SD card & Adapter



RECORDERS

SVSCDR2 (Black) & SVSCDR2W (White) Critical Witness

- 2.2" in-built screen with 180° screen rotation and orientation
- Built-in 3G sensor
- 105° wide viewing angle
- Operating Voltage: DC12~24V
- Built-in microphone for audio recording
- Resolution: 720 x 480 or 320 x 240
- Suction cup mount
- Adjustable video capture lengths (1, 3 or 5 minutes)
- Auto lock data or manual lock
- GPS logger
- Google overlay
- Date, time, speed
- 3 Axis G-force display



Kit Includes:

- Car Data Recorder
- Mounting Bracket
- Power Cord
- GPS Aerial
- Micro SD card & Adapter



RECORDERS

Vehicle Recorders cont...

SVSMDVR Mobile Digital Video Recorder

The SVS Mobile Digital Video Recorders (MDVR) deliver a mobile multi-source capturing solution in a convenient single DIN case. This MDVR line feature multiple recording storage options, thereby delivering great versatility and redundancy support as well as high quality H.264 codec compression for longer recording capacity and data integrity.



In addition to capturing up to 8 channels of video (depending on the model) and audio, all MDVR's record GPS coordinates, 3 axis sensor movements, vehicle speed, alarms, and vehicle ID to provide a holistic representation of vehicles in the field.

- Up to 8 camera inputs*
- Unlimited vehicle fleet management and remote access of 3G models*
- Multiple recording storage types with backup storage/recording function
- D1 recording - roughly four times the image quality level of typical CIF
- GPS receiver
- 3 axis sensor
- Customisable alarms
- Variable shutdown recording times available - provides recording after vehicle shutdown
- Backup power supply feed
- Secure Data: Password data access and encrypted files

Select and manage unlimited 3G devices in the field



*Model dependant

Part Number

| | | |
|----------|--------------------------------|-------------------|
| 1 | 4 Camera input with GPS | SVSMDVR4 |
| 2 | 8 Camera input with GPS | SVSMDVR8 |
| 3 | 4 Camera input with GPS and 4G | SVSMDVR4.G |
| 4 | 8 Camera input with GPS and 4G | SVSMDVR8.G |

*HDD and SD card not included in all 4 models but available as options

RECORDERS

Recorders

3
Recorders

SVSSDR Sports Digital Camera

- Record audio & video, takes pictures, loop recording, preview pictures and videos
- Full HD 1080P action camera
- Waterproof (10m)
- 1.5" TFT built-in screen
- 142° view angle under 1080p or 172° view angle under 720p
- Motion detector
- USB2.0 high-speed device
- Built-in audio
- 4x digital zoom
- Multiple mounts
- Can be used as a PC cam



SVS-SDS Motion Activated Detection System

SDS is a motion activated detection system that uses reflected radio waves to detect a moving target. When a target is detected within the specified danger zones in the front, side and rear of the vehicle, an alarm sounds to alert the driver, and corresponding LED's on the display panel indicate the target's location by zone.

- Latest microwave radar technology
- Operates in all weather conditions
- Operating Voltage: 9-16V DC
- Can connect up to 10 sensors
- Detection Range: 0 to 12 feet



Alarms

3
Alarms



WARRANTY

200 *Series*
PREMIUM RANGE



100 *Series*
STANDARD RANGE



* CONDITIONS APPLY

Visit svsaustralia.com for full Terms and Conditions

To find out more about our range of products, contact your local distributor or visit our website at svsaustralia.com.



Safety Through Vision

Proudly distributed by: